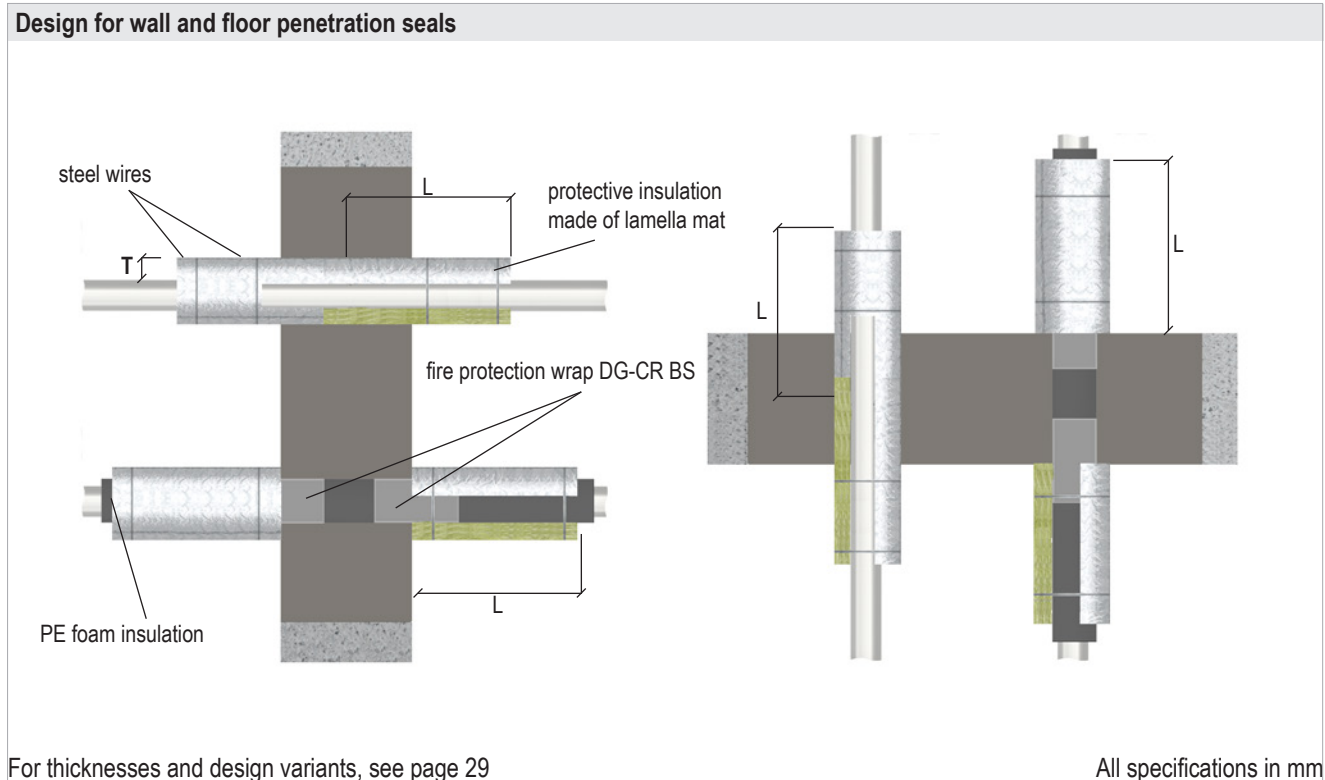


Novasit BM

8.5 Multilayer pipes by Henco



Outer Ø [mm]	Thickness of PEF insulation [mm]	Wall thickness [mm]	Fire protection wrap		Protective insulation		Fire resistance class	
			Width [mm]	Number of layers [n]	Length L [mm]	Thickness T [mm]	Wall	Floor
Multilayer pipes Henco Standard					Lamella mat		EI 120 U/C	EI 120 U/C
≤ 12 mm	-	1.6	-		≥ 250	≥ 20		
≤ 32 mm		3.0						
≤ 63 mm		4.5						
Multilayer pipes Henco Standard with PE foam insulation			DG-CR BS		Lamella mat			
≤ 14 mm	6	2.0	100 (50 inside seal/ 50 outside seal)	1 (25 mm overlap)	≥ 250	≥ 20		
≤ 26 mm	6-13	3.0						
≤ 32 mm	6-10	2.0						